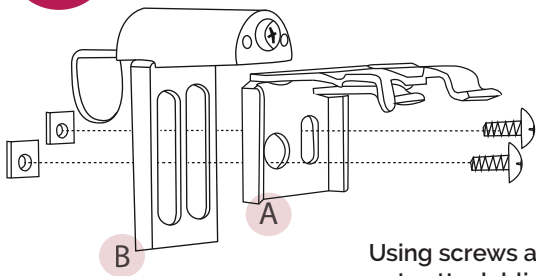


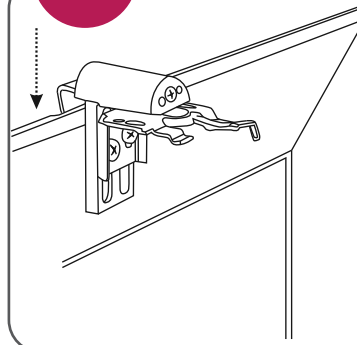
Instructions for fitting a roman blind with a cassette track system to a window frame (with non-invasive fittings)

1.



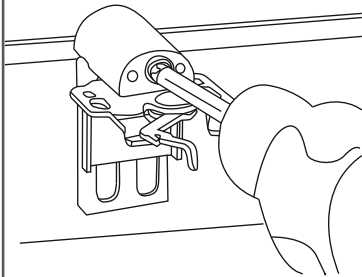
Using screws and rectangular nuts attach blind fitting (A) to a window frame bracket (B).

2.



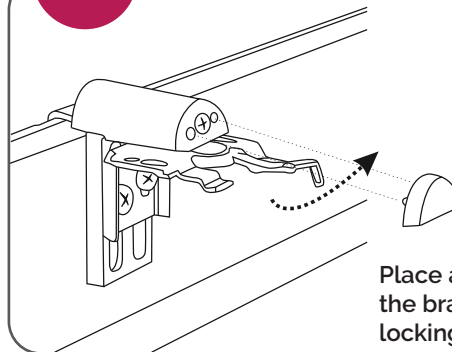
Place the bracket over the edge of the window frame.

3.



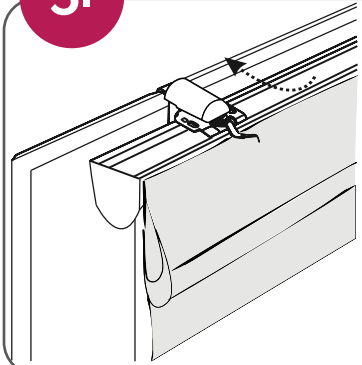
Gently tighten the bracket with a screwdriver.

4.



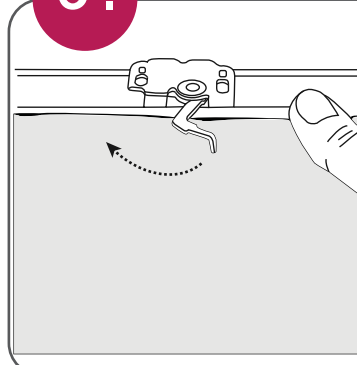
Place a cover over the front of the bracket and open the locking arm.

5.



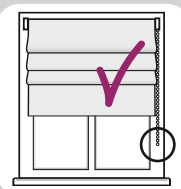
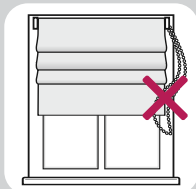
Position the cassette track on the brackets and gently push the track towards the window frame.

6.

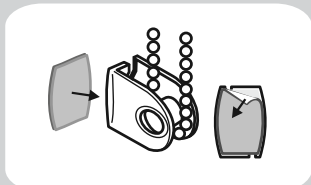


Push the locking arm across into a closed position.

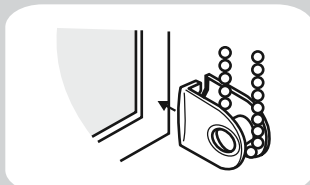
Installing the cord tension device



To make sure the cord is not dangling by the window, it is recommended to install a cord tension device.



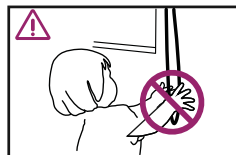
Peel the protective layer off the double-sided tape and attach it to one side of the cord tension device.



Attach the device to a clean window frame, ensuring that the cord is tightened.



CAUTION



Risk of strangulation.

Keep cords and strings out of reach of children.



The contents of the pack contain small pieces. Risk of swallowing and choking.