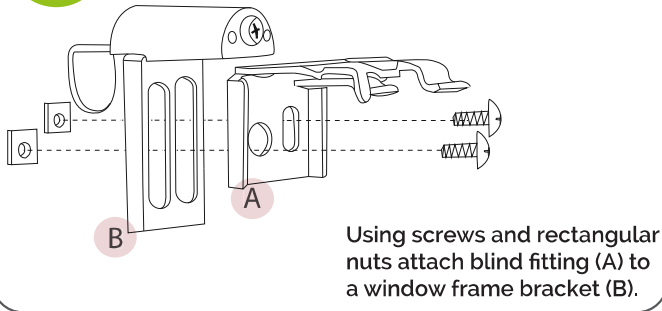
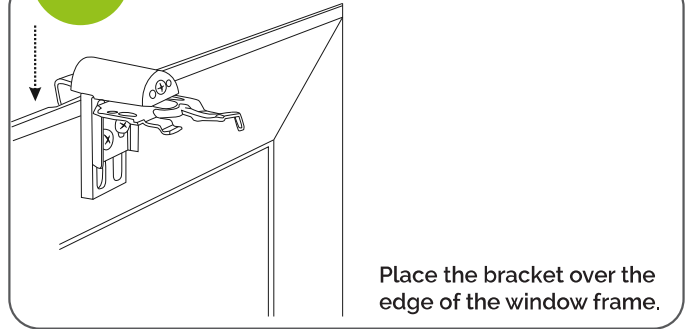


Instructions for fitting a roman blind with a cassette track system to a window frame (with non-invasive fittings)

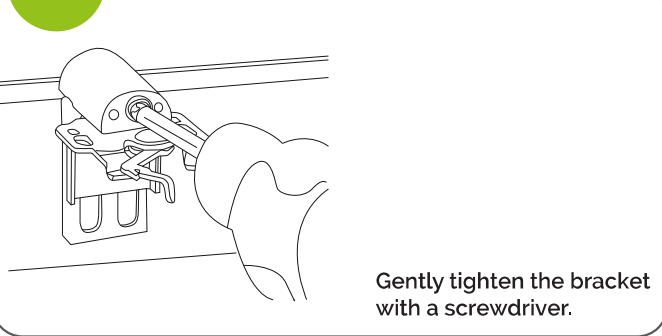
1.



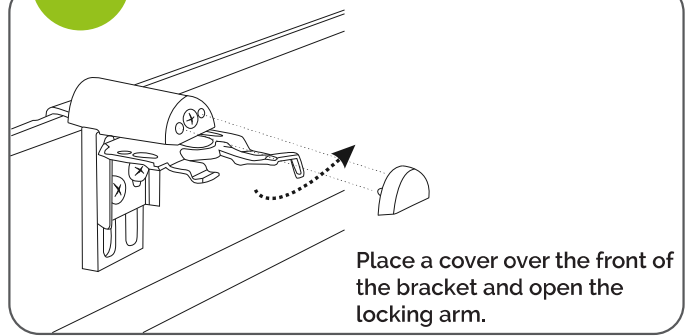
2.



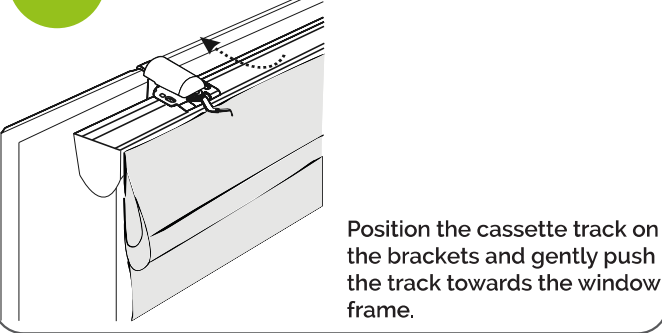
3.



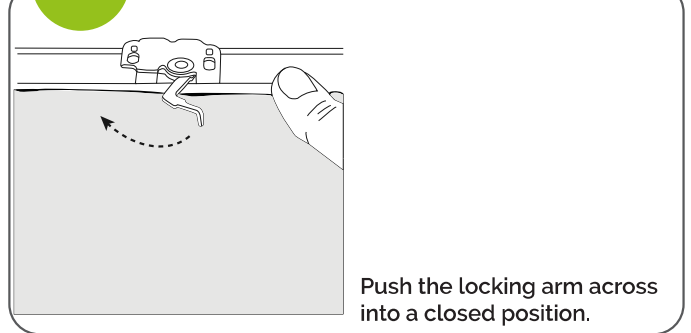
4.



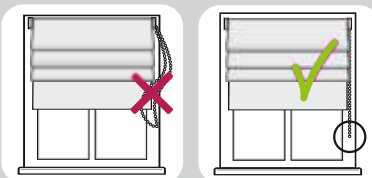
5.



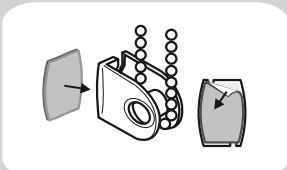
6.



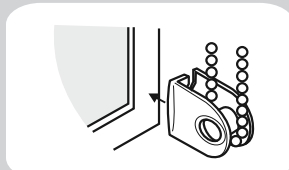
Installing the cord tension device



To make sure the cord is not dangling by the window, it is recommended to install a cord tension device.



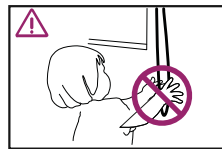
Peel the protective layer off the double-sided tape and attach it to one side of the cord tension device.



Attach the device to a clean window frame, ensuring that the cord is tightened.



CAUTION



Risk of strangulation.

Keep cords and strings out of reach of children.



The contents of the pack contain small pieces. Risk of swallowing and choking.