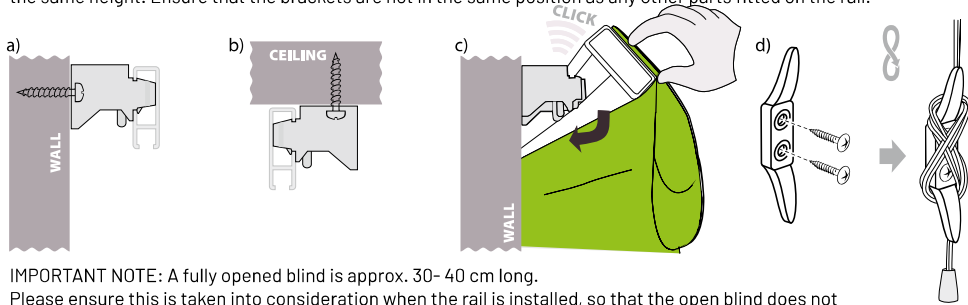


INSTRUCTIONS FOR FITTING A ROMAN BLIND

1. Installing the Rail Brackets

Install the plastic brackets with screws (supplied as part of the pack) or wall plugs (not included), depending on the surface. The brackets may be fitted in 2 different positions: - on the wall (drawing a). - on the ceiling (drawing b).

Space the brackets evenly across the full length of the rail (2 to 5 brackets per rail), ensuring that all brackets are fitted at the same height. Ensure that the brackets are not in the same position as any other parts fitted on the rail.



IMPORTANT NOTE: A fully opened blind is approx. 30- 40 cm long.

Please ensure this is taken into consideration when the rail is installed, so that the open blind does not get in the way when the window is open.

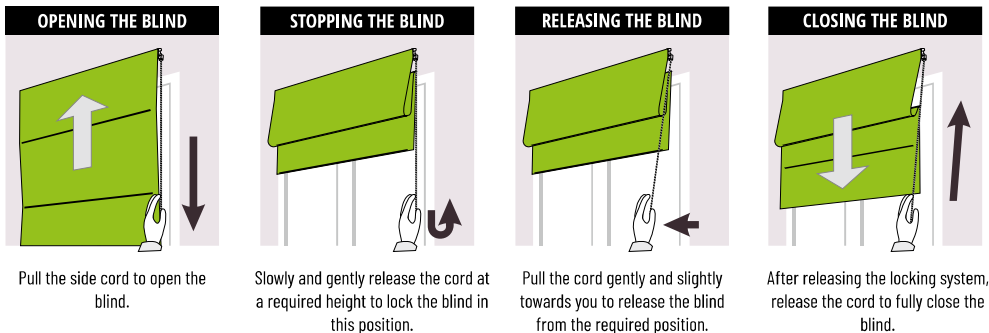
2. Fitting the Rail onto Brackets

Install the rail by clipping it (with the blind attached) onto the brackets. Place the top part of the rail onto the brackets, then press the bottom part of the rail until the rail is clipped into position. (Drawing c).

3. Installing the Cord Cleat

The cord cleat is a child safety device. Install the cord cleat (included in the set) on the wall and by the side cord, at a height inaccessible to children. The cord should be wrapped around the cleat to prevent it from hanging freely on the wall. (Drawing d).

OPERATING A ROMAN BLIND



Pull the side cord to open the blind.

Slowly and gently release the cord at a required height to lock the blind in this position.

Pull the cord gently and slightly towards you to release the blind from the required position.

After releasing the locking system, release the cord to fully close the blind.

UNINSTALLING A ROMAN BLIND

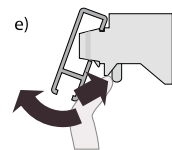
1. Removing the blind from the rail

To remove the blind and the rail from the brackets, press the small plastic piece on the bracket and pull the rail off the bracket, gently pulling it towards you and upwards. (Drawing e).

2. Washing the blind

The blind can be taken off the rail (it is attached with velcro fittings) after unstringing the blind. Dowels and other non-fabric elements need to be carefully removed.

IMPORTANT NOTE: Memorize the layout or take a picture of the stringing to be able to assemble the blind after washing.



CAUTION!



Risk of strangulation. Keep cords and strings out of reach of children. Risk of swallowing and choking.

The contents of the pack contain small pieces.

 **dekorio**