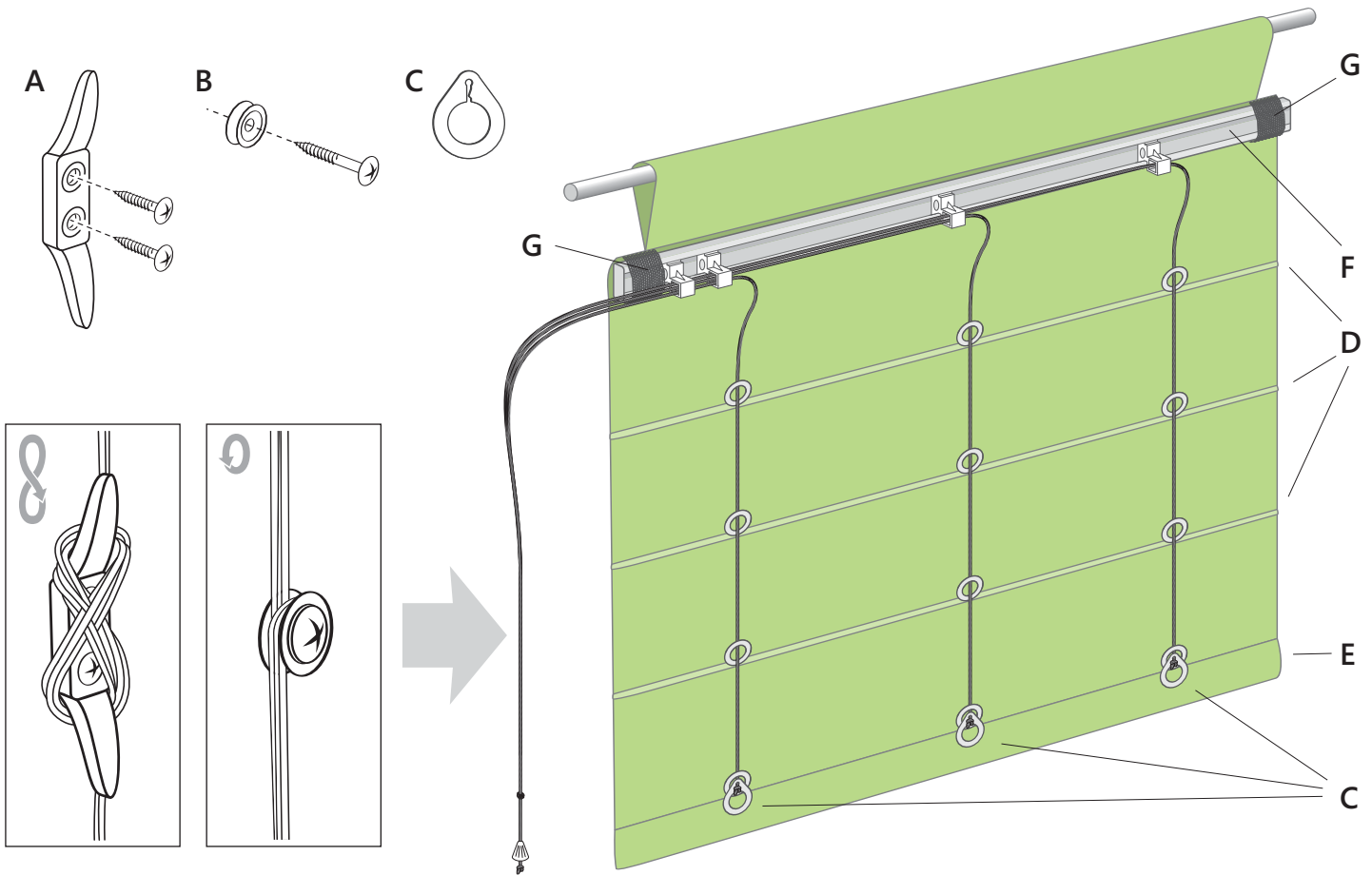


ROMAN BLIND ON A CURTAIN ROD

1. Installation of blind



hang the blind on the previously prepared pipe curtain rod. On the appropriate side of the blind, attach to the wall with the included screws safety hook **A** adapted to winding the loose string completely (recommended) or ring **B** for winding the string pulling up the blind to lock it.

2. Detaching the roller blind (preparation for washing)

- 1 - Remove the blind from the curtain rod.
- 2 - Pull the strings firmly out of the end hooks (end ring) **C** leaving the knots.
- 3 - Remove the horizontal stiffeners (straws) **D** and the bottom strip **E**.
- 4 - Detach the metal rail **F** from the blind
(it is attached with Velcro) and slide it out of the side loops **G**.
- 5 - Wash the fabric according to the information on the washing label.

OUR ADVICE: Before you start unclasing the blind, take photos of the interlaced cords. This will help you to thread the strings correctly after washing.

⚠ WARNING!



Danger of suffocation!

Keep cords and chain loops out of the reach of small children!

There are small parts in the package!

The child may swallow and choke on small parts!