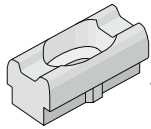


Roman blind "up and down" sliding blind - installation and operation

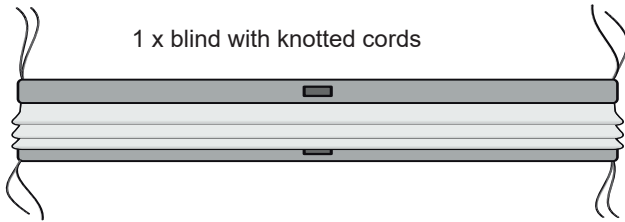
only for invasive installation



4 x screw **A**

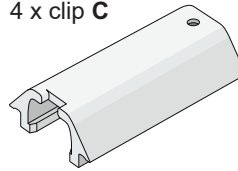


4 x hook **B**



1 x blind with knotted cords

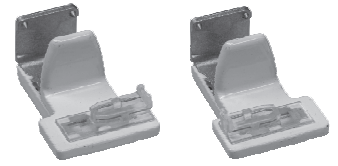
4 x clip **C**



only for non-invasive installation

4 x clamp **D**

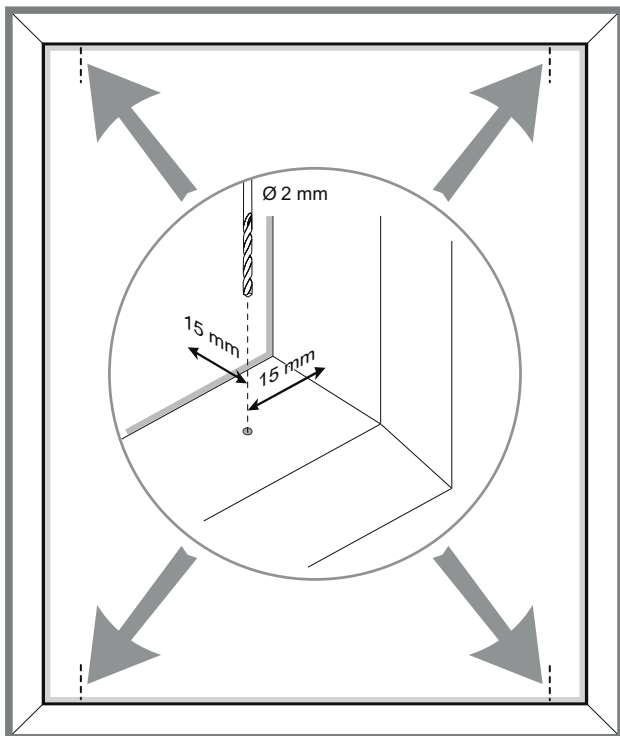
2 x right clamp and 2 x left clamp



1 x allen key

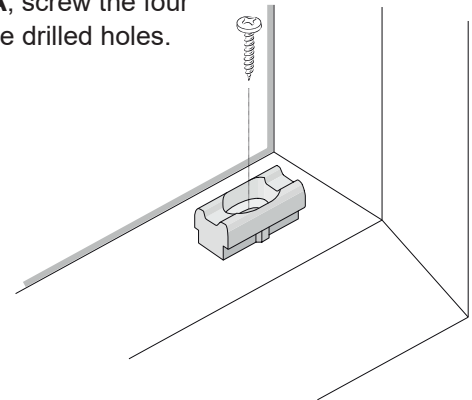


Invasive installation (in the window light):

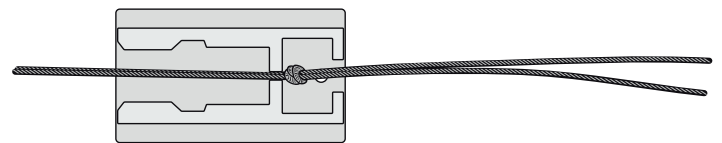


Drill 4 holes with a $\varnothing 2$ mm drill bit in the horizontal window frames at a distance of 15 mm from the glass and the vertical window frame.

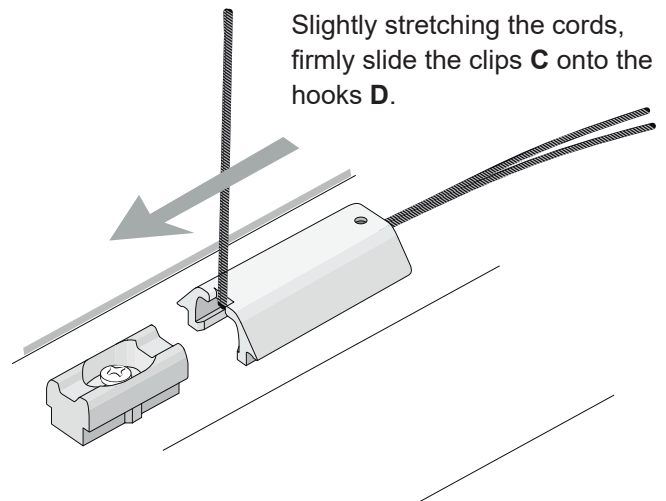
Using screws **A**, screw the four hooks **B** into the drilled holes.



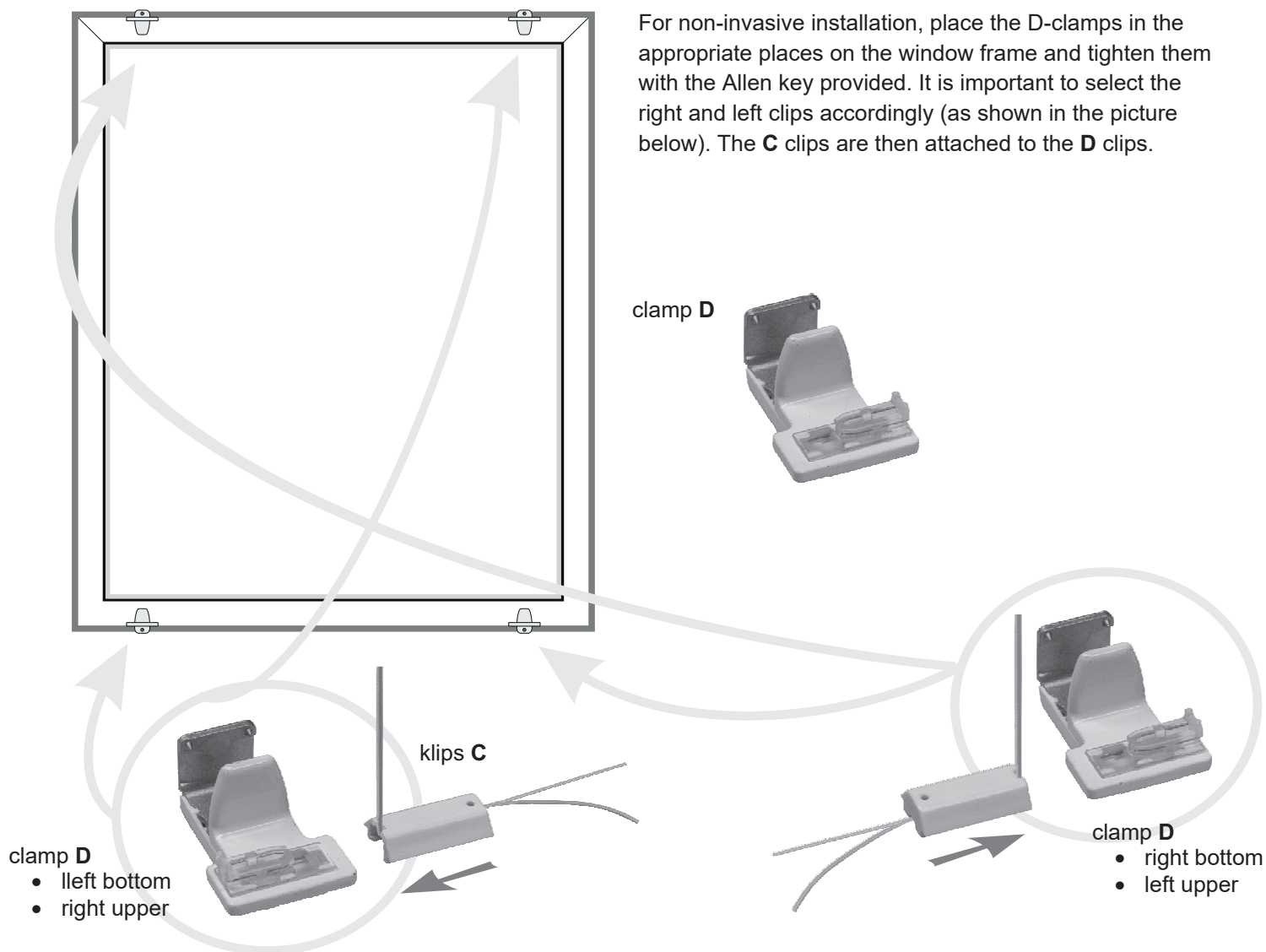
Fix the loose blind cords with knots in the clips **C**.



Slightly stretching the cords, firmly slide the clips **C** onto the hooks **D**.



Non-invasive installation



For non-invasive installation, place the D-clamps in the appropriate places on the window frame and tighten them with the Allen key provided. It is important to select the right and left clips accordingly (as shown in the picture below). The C clips are then attached to the D clips.

clamp D



klips C

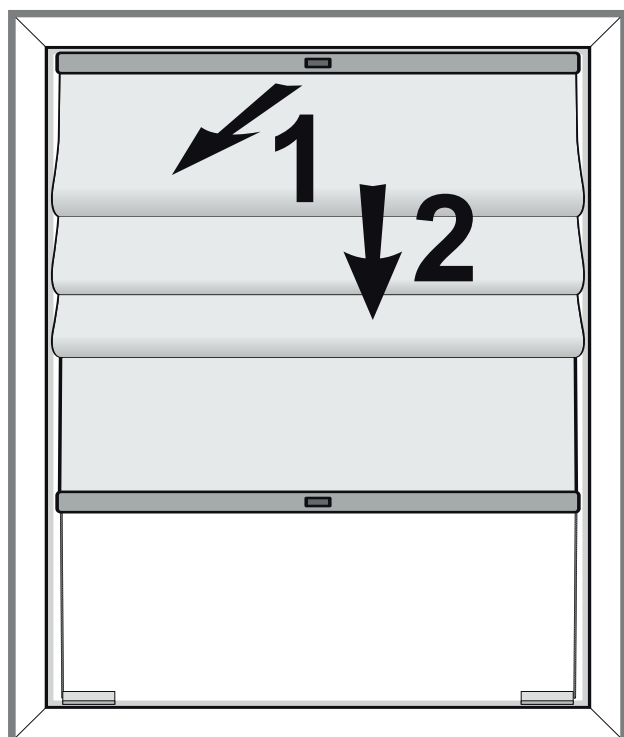
clamp D

- left bottom
- right upper

clamp D

- right bottom
- left upper

Operation of the Roman blind:



The Roman blind rails automatically lock in the extreme (upper and lower) position. To unlock them, first gently pull the Roman blind handle towards you and then up or down.

Washing the Roman blind:

The Roman blind can be washed after dismantling and detaching all non-textile parts.

Correcting the string tension:

If the length of the cords is not suitable it can be corrected by untangling the knots at the ends of the cords and re-tangling them in the appropriate length. The excess cord can be cut off the C-clip.