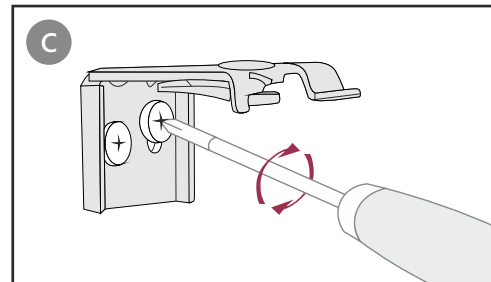
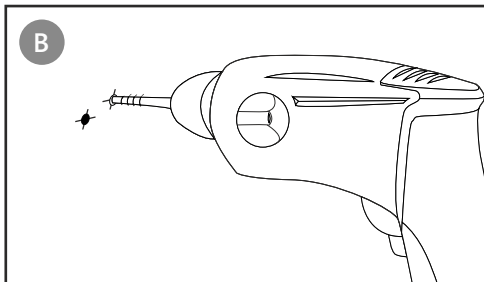
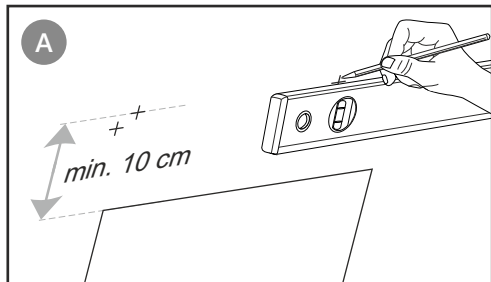


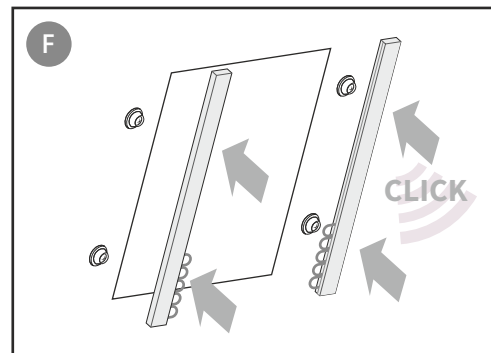
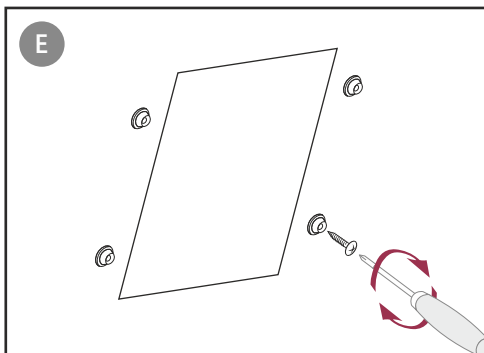
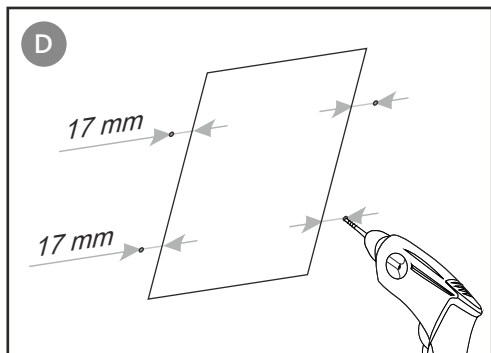
ROOF ROMAN BLIND

1. Installation of the blind cassette holders



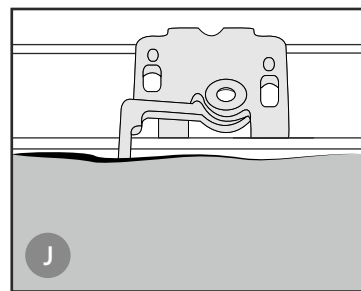
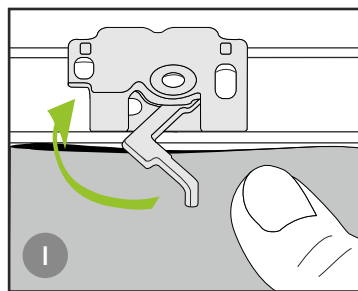
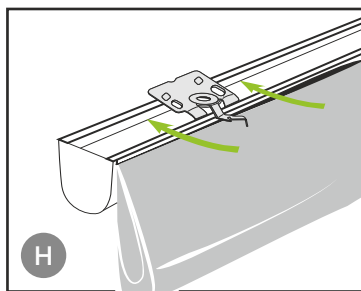
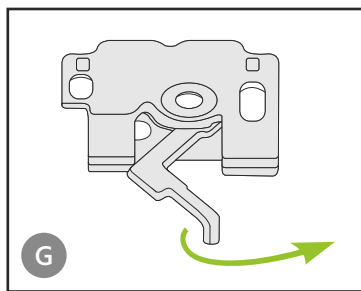
Carefully measure and mark the screw hole locations above the window recess (Fig. A). The minimum distance from the top edge of the window is 10 cm. Drill the holes for the screws. Depending on the type of wall, you may need to use suitable wall plugs (fig B). Screw the brackets to the wall (Fig. C).

2. Installation of roller shutter runners



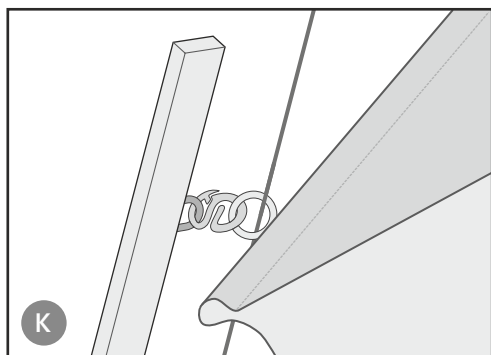
Drill two plug holes on each side of the window recess, spaced exactly 17 mm from the edge of the recess (Fig. D). Then screw the mounting brackets for the roller shutter guides (Fig. E). Pressing gently against the wall, snap the guides into the screwed brackets (Fig. F). The upper edge of the side guiding-channels should be at such a height that they later join the fixed blind cassette. 3.

3. Placing the cassette on the brackets



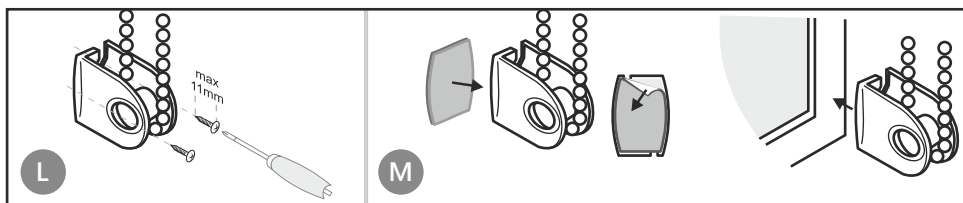
Slide out the catches (Fig. G). Place the roller shutter cassette on the brackets. Place it from above, pressing it gently against the wall (Fig. H). Tighten the catches (Fig. I). Roller blind correctly positioned (Fig J).

4. Fixing the blind

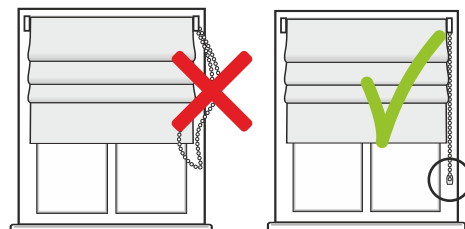


Fasten the sliders placed in the runner one by one to the castors from above using the hooks "S" (Fig. K).

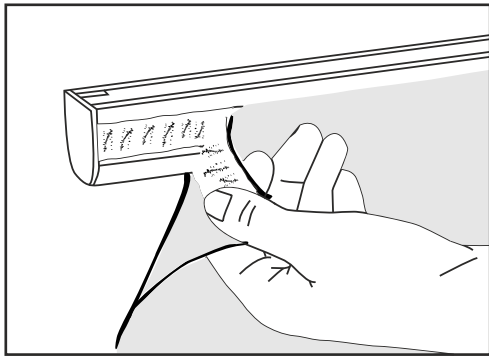
5. Fixing of the chain tensioner



To ensure that the chain does not hang loose next to the window, it is recommended to install the chain tensioner included in the kit. Mount with screws (fig. L) or adhesive tape (fig. M).



6. Washing the blind



The roller blind is mounted to the cassette with Velcro tape. To wash the blind you need to:

1. detach the "S" catches from the castors
2. detach the roller blind cassette from the holders
3. unroll it along its entire length
4. detach the cords and pull out the horizontal stiffeners
5. detach the fabric from the cassette (velcro strip).

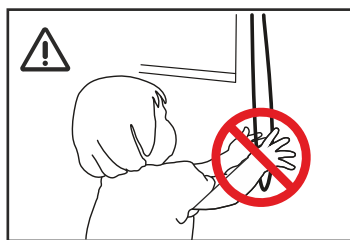
After washing and ironing:

1. attach the fabric to the cassette
2. insert horizontal stiffeners
3. thread the strings through the rings
4. wyrównać i związać od dołu
5. align and tie off at the bottom
6. hook the "S" brackets onto the pulleys

OUR TIP: Before you un-string the blind take a picture of the strings. This will help you to thread the cords correctly after washing.



ATTENTION!



Danger of strangulation!

Keep cords and chain loops out of reach of small children!

There are small parts in the packaging!

There is a possibility of children swallowing and choking on small parts!