

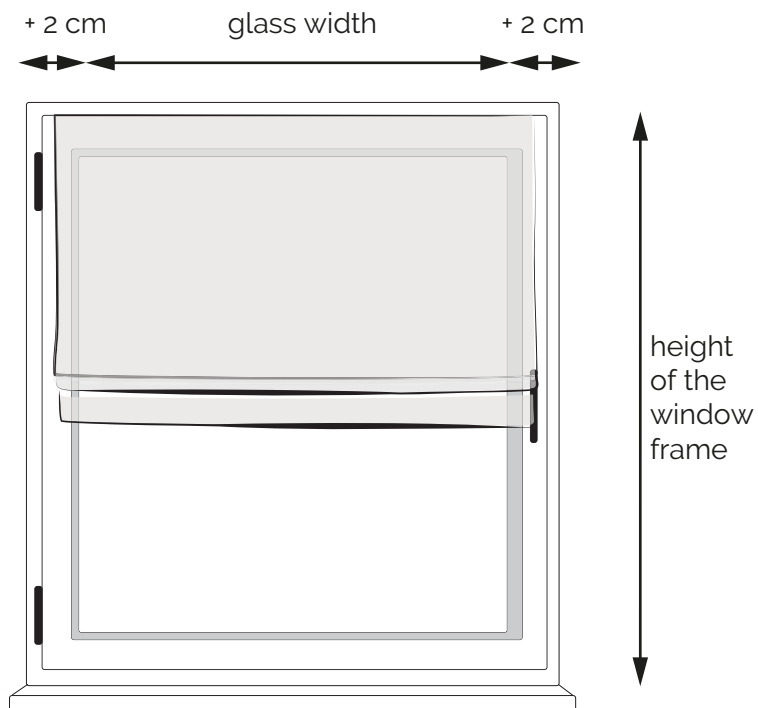
ROMAN BLIND – DIMENSIONING FOR WINDOW FRAME



STANDARD BRACKET

Add 2 cm to the glass width on both sides to get the right width of a blind.

The height of a blind is the height of the window frame.



DIMENSIONING FOR WINDOW FRAME WITH WINDOW VENT



BRACKET FOR A WINDOW FRAME WITH WINDOW VENT

Add 2 cm to the glass width on both sides to get the right width of a blind.

Blind height: deduct the height of window vent from the height of the window frame.

The holder allows to adjust the height.

